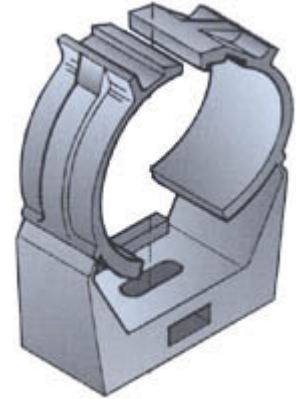




Clic Clamp, 7/8" RADIAFLEX polyamide black, halogen free
fire class UL94HB

FEATURES / BENEFITS

Safe and efficient installation of RADIAFLEX® cable with clic-clamps. Simple mounting by using wall plugs and screws. Simply push in by hand, clamp will grip and lock by applying slight pressure.



clic_clamp_T1

Technical features

GENERAL SPECIFICATIONS

Product Line		Radiating Cable Accessories
Product Type		Hanger
Hanger Type		Clic clamp
Transmission Line Type		RLF* RLK* RAY*78-50*A RCF78-50*A
Cable Type		Radiating Cable
Color		Black

MECHANICAL SPECIFICATIONS

Cable Size		7/8
Number of Cable / Waveguide Runs		1
Material		Polyamide

TESTING AND ENVIRONMENTAL

Fire Class		UL94 HB
-------------------	--	---------

TEMPERATURE SPECIFICATIONS

Installation Temperature	°C (°F)	-20 to 80 (-4 to 176)
Operation Temperature	°C (°F)	-50 to 85 (-58 to 185)
Storage Temperature	°C (°F)	-50 to 85 (-58 to 185)

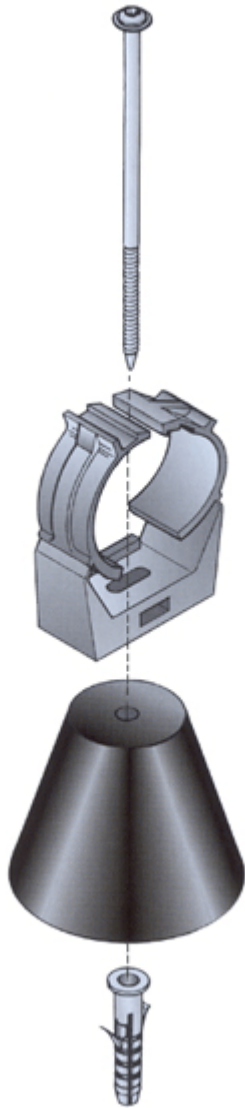
PACKAGING INFORMATION

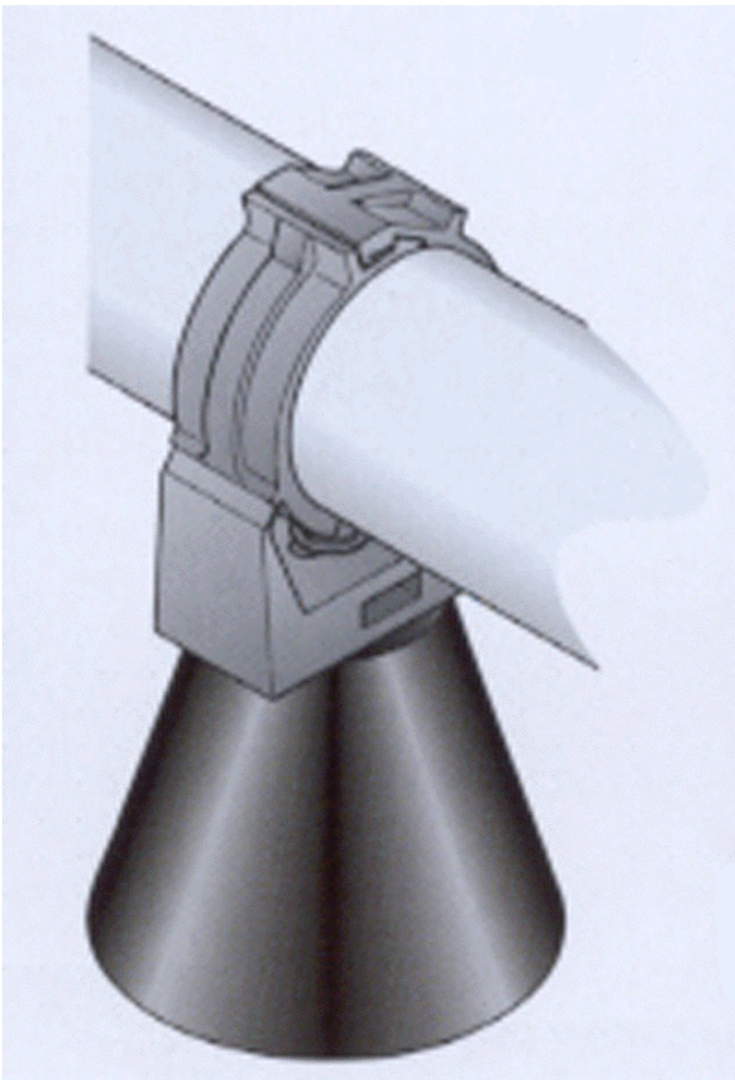
Package Quantity		150
-------------------------	--	-----



CC-78-2

Clic clamp for RADIAFLEX® 7/8"





External Document Links

Notes

* valid for all cable versions

** order by single units