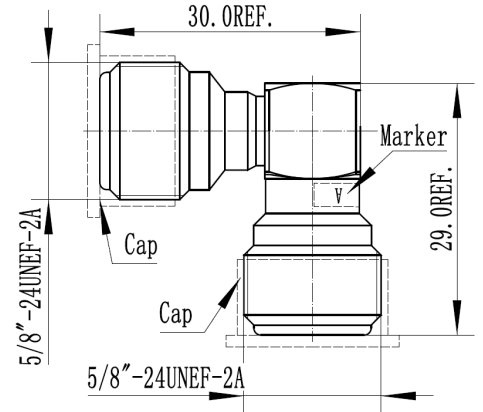




Coaxial Adapter N Female - N Female with right angle  
 FEATURES / BENEFITS



External Document Links

Notes

## Technical features

### STRUCTURE

Product Line		Coaxial Cable Components
Product Type		Coaxial Adapter

### MECHANICAL SPECIFICATIONS

Connector A		N Female
Center Contact Connector A		Phosphor Bronze, silver plated
Outer Contact Connector A		Brass, Tri metal alloy plated
Connector B		N Female
Center Contact Connector B		Phosphor Bronze, silver plated
Outer Contact Connector B		Bras, Tri metal alloy plated
Dielectric		PTFE
Sealing class		IP68, connected

### ELECTRICAL SPECIFICATIONS

Frequency Range - MHz		DC - 6000
VSWR, Return Loss	VSWR (dB)	DC TO 2 GHz VSWR 1.05 (32.25)
		2 TO 3 GHz VSWR 1.08 (28.3)
		3 TO 6 GHz VSWR 1.12 (24.94)
Insertion Loss, dB (Max)	dB	0.05
3rd Order IM Product @ 2x20 Watts	dBc	< -163

### TEMPERATURE SPECIFICATIONS

Operation Temperature	°C (°F)	-40 to 85 (-40 to 185)
-----------------------	---------	------------------------

### PACKAGING INFORMATION

Package Quantity		1
------------------	--	---